

Operation Manual for Mycotoxin LFD Incubator



INFY-1



1295 Morningside Avenue, Unit 16-18
Scarborough, ON M1B 4Z4 Canada
Phone: 416-261-4865 Fax: 416-261-7879
www.scigiene.com

Contents

1	Introduction.....	3
	1.1 Components.....	3
	1.2 Primary Structure.....	4
2	Technical Parameter.....	6
3	Safety Warning.....	6
4	Operation Procedure.....	7
	4.1 Set up a new Procedure.....	7
	4.2 Set S.N. of Procedure.....	7
	4.3 Set Temperature.....	7
	4.4 Set Time.....	7
	4.5 Set Time Unit.....	8
	4.6 Procedure On/Off.....	8
	4.7 Other Functions.....	9
5	Maintenance.....	10
6	Troubleshooting.....	10

Thanks for purchasing Scigiene's Mycotoxin LFD Incubator. This manual includes device function and operation procedure. Please read the manual before operation. Please check device components once you receive goods and contact us immediately if you found any parts mismatched, missing or damaged.

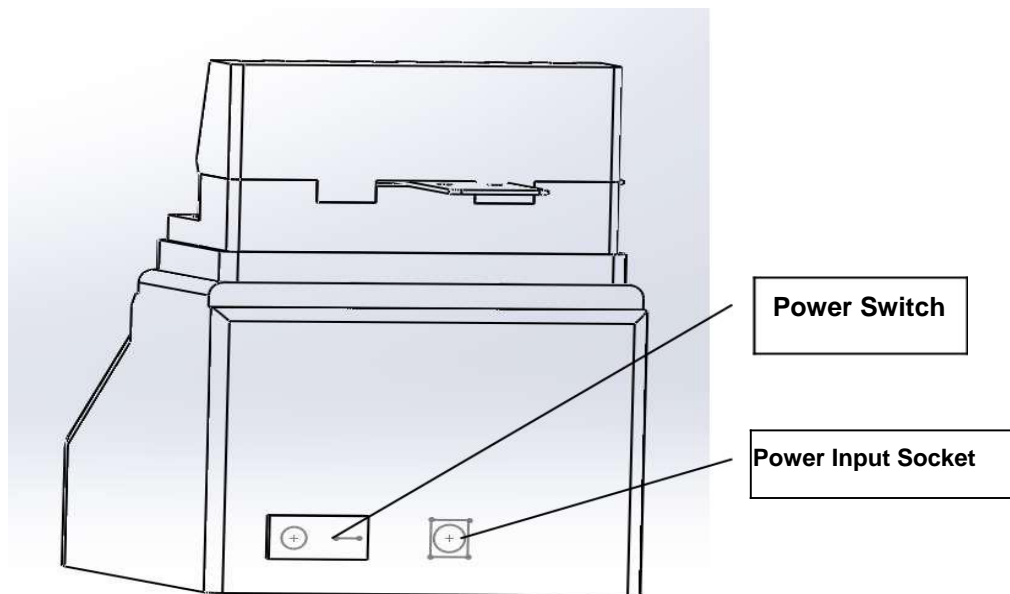
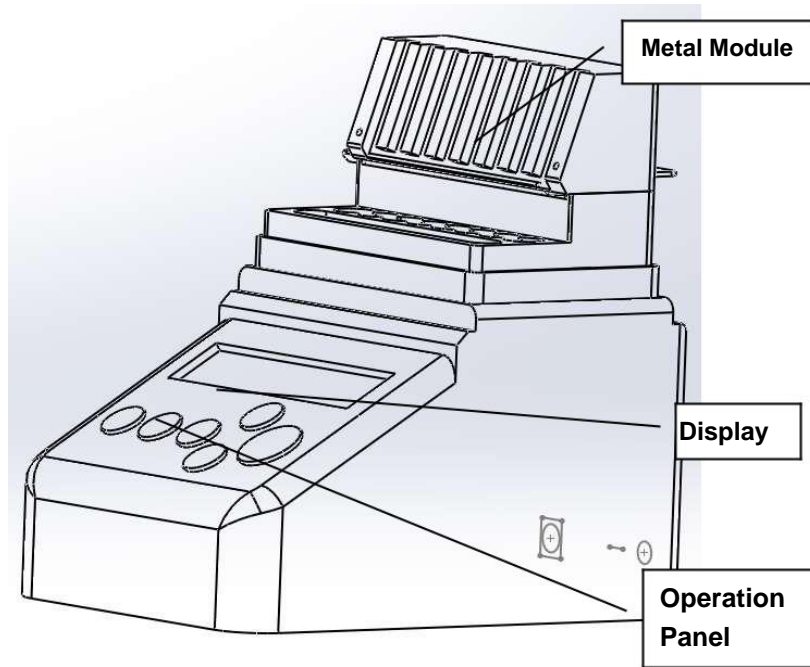
1 Introduction

Incubator is new product controlled by microcomputer. It is widely used for sample preservation and reaction, DNA-PCR, electrophoretic pre-degeneration, serum coagulation and etc. Please read the manual before operation.

1.1 Components

Mainframe	1pcs
Transparency Cover	1pcs
Power Adapter	1pcs
Operation Manual	1pcs

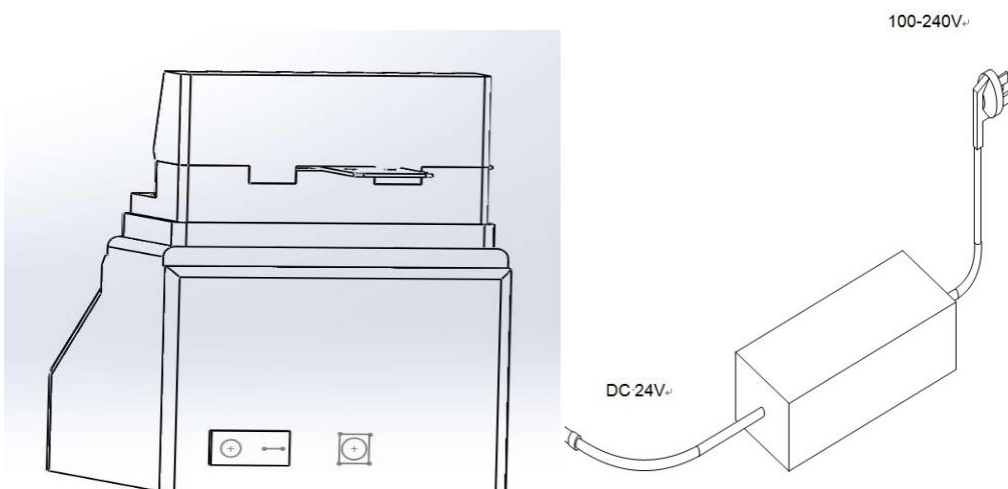
1.2 Primary Structure



1.3 Installation

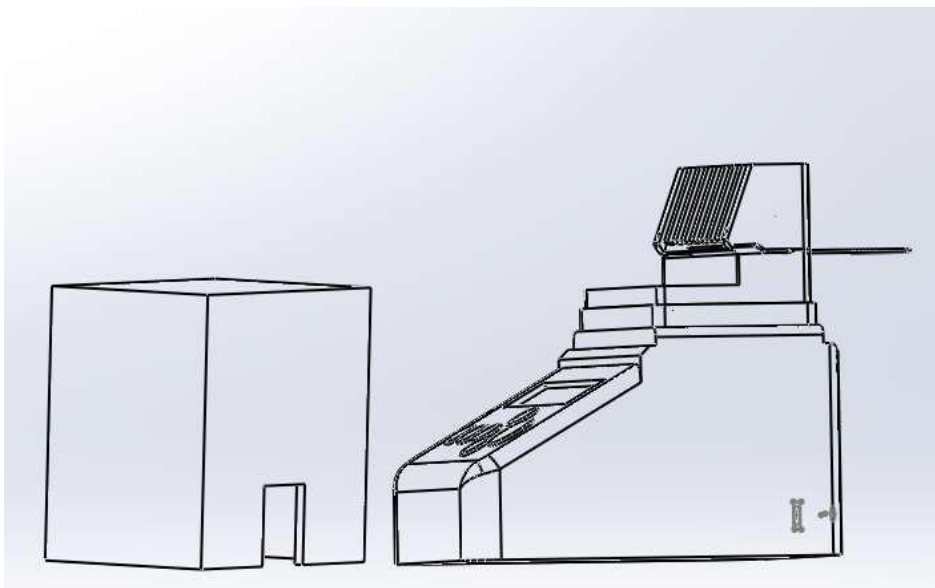
1.3.1 Put it on horizontal working table.

1.3.2 Insert cylindrical socket of power adapter into power input socket, then connect the other end of power adapter with power grid between 100V and 240V. Check below chart.



1.3.3 Power switch on and then it will reach to setting temperature. Basically, it takes five minutes.

1.3.4 Put test tube onto metal module after reaching setting temperature. Then cover transparency cover.



2 Technical Parameter

Model	INFY-1
Power Supply	DC24V
MAX Power	40W
Average Power Consumption	5 W
Temperature Range	RT+5 °C ~ 100°C
Timing Range	1sec~999sec 1min ~ 999min 1hour~99hour
Temperature Precision	≤± 0.3°C
Display Accuracy	0.1°C
Heating up Time (from 40 °C to 100°C)	≤20min
Environment Temperature	5°C ~ 35°C
Overall Dimension (W×D×H)	110mm×148mm×120mm
Net Weight	0.5 kg

3 Safety Warning



It is used indoor.



It might cause personal injury if you did not read the manual before operation. Only trained person in installation and operation of electrical equipment are qualified to use this device.



You may get electric shock and lose warranty if you disassemble it.



The device is supposed to put the place where contains low humidity, little dust, well-ventilated, avoiding water and sunshine or strong direct light or corrosive gas or high intensity magnetic field or heating or fire or other heat source.



Power Switch. Press “ I ” , power on. Press“ O ” , power off.



Power Input is DC24V, center of socket is “+”, outer ring is “-”.



Power off when you do not need to use it. Pull out power socket if you will not use it in a long time.

Cover it with soft cloth or plastic paper to avoid dust.

4. Operation Procedure

4.1 Set up a new Procedure:

Power on and then system comes to operation interface. Press Start/Stop key over 2 minutes, then is goes into Setting up Procedure interface. You can DIY 9 procedures, P1 to P9. Each procedure includes 3 sections/move (A, B, C).

-----28.7-----

4.2 Set up S.N. of Procedure :

Cursor will point ID number of procedure by quickly pressing P key, then you can select ID number and section of procedure (A, B, C) by ▲ or ▼.

P2-A 55.5 095

4.3 Set Temperature :

Cursor will point temperature by quickly pressing Temp key, then you can change temperature by ▲ or ▼.

P2-A 55.5 095 M

4.4 Set Time :

Cursor will point time by quickly pressing Timer key, then you can change time by ▲ or ▼.

P2-A 75.5 032 M

Quickly press ▼ when time parameter value equals to 000. Time parameter value at OFF means this procedure will not run.

P2-A 75.5 OFF

P2-A 55.5 032 5

P2-A 55.5 032 H

4.5 Set Time Unit:

Cursor will point time unit by quickly pressing Timer key, then you can change time unit in second, minute or hour by ▲ or ▼.

P2-A 55.5 032 M

P2-A 55.5 032 s

4.6 Procedure On/Off

4.6.1 Power on then it will increase temperature automatically.

----28.7----

4.6.2 WAIT means it is heating.

P1-A 32.5 WAIT

4.6.3 It will send warning tone and blinking display OK when temperature is steady. It will start countdown of constant temperature at A section when it comes to A/Stop key.

P1-A 40.0 OK

P1-A 40.0 180 S

4.6.4 It displays FINISHED and keeps sending warning tone when countdown of A section finished. Press Start/Stop key, then it begins B section.

P1-A FINISHED

P1-B 40.0OK

4.6.5 Likewise, B section and C section run the same procedure.

P1-b FINISHED

4.6.6 It will send warning tone at one minute at a time and also display FINISHED after running complete procedure. Meanwhile, it will remain at current temperature. Please turn off the power if you do not need to use it. If you want to repeat the whole procedure, please press start/stop key quickly.

P1-c FINISHED

Finished 40.5

All keys will be blocked when system comes into countdown interface. Please restart it if you need to config parameter or select procedure. It will goes into running interface in 3 seconds. Then press start/stop key over 2 seconds, you will see parameter configuration interface. At last, press start/stop key quickly to run it when you finished setting parameter.

4.7 Other Functions

Power on, then immediately press P key and Timer key at the same time, it will enters into Function Configuration Menu.

4.7.1. Automatically keep constant temperature

after finishing operation (RTF) :

Enable RTF, keep constant temperature after finishing operation.

RTF	ENABLE
-----	--------

Disable RTF, start cooling after finishing operation.

RTF	DISABLE
-----	---------

4.7.2. Automatic recovery after power failure (ORF) :

Enable ORF, it will get back to the procedure run before power failure, once when power on again.

ORF	ENABLE
ORF	DISABLE

Disable ORF, it requires to select procedure when power on again.

ORF	ENABLE
-----	--------

ORF	DISABLE
-----	---------

4.7.3. Automatic Running (APF) : Enable APF, automatic running last procedure when power on.

Disable APF, Select procedure when power on.

APF

APF

APF & RTF are enabled, while ORF is disabled at default. It will run ORF if ORF and APF are both enabled. Quickly press start/stop key, procedure will save the configuration information and exit current menu. Press start/stop over 1second, it will exit current menu without saving configuration information.

5 Maintenance



Regularly clean longhole on module with clean soft cloth that takes a little absolute alcohol. Make sure tube contact wall of taper hole sufficiently, good thermal conductivity and avoiding contamination. Use soft cloth that takes cleansing cream to clean the surface.



Must turn off power before cleaning the device. Cleaning Solution is forbidden to pour into holes on module. Do not use corrosive cleaning solution.

6 Troubleshooting

Troubles	Analysis of causes	Resolution
Black display screen	Power off Poor switching Broken controller	Check power supply and re-plug power socket; Replace switch; Contact us.
Display Screen shows "PT open circuit of temperature control sensor" and it sends alarm tone	Open circuit or ERROR	Contact us.
Module did not heat up	Heater malfunction	Contact us.
Key malfunction	Broken membrane switch	Contact us.



1295 Morningside Avenue, Unit 16-18
Scarborough, ON M1B 4Z4 Canada
Phone: 416-261-4865 Fax: 416-261-7879
www.scigiene.com