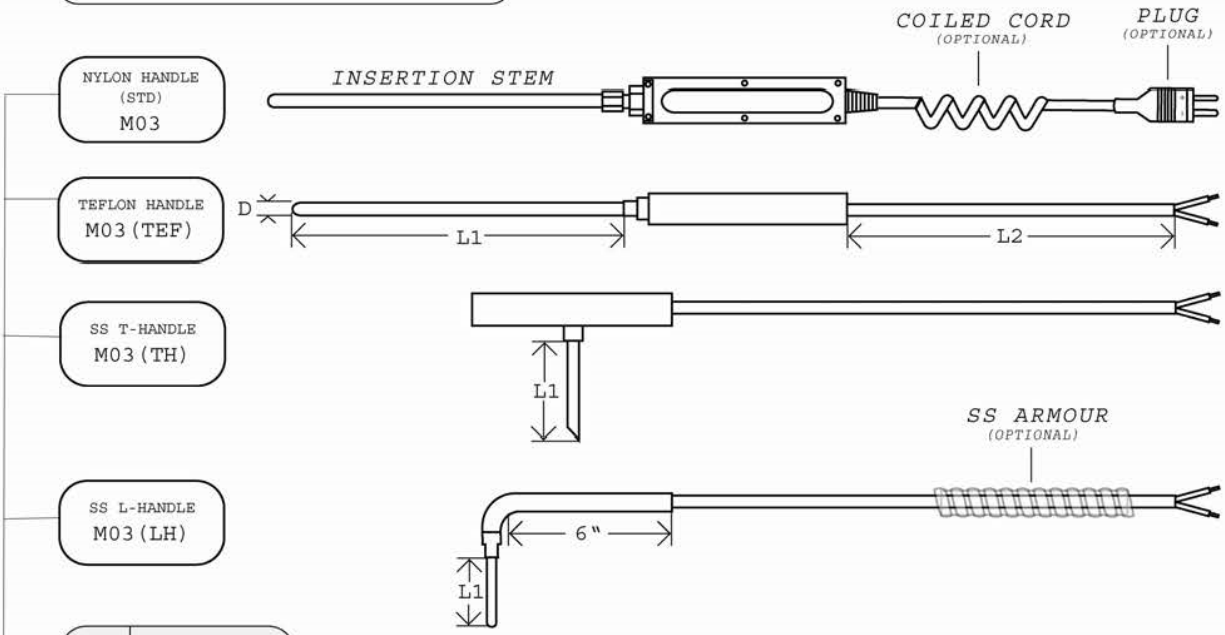


# M03 - HAND-HELD TEMPERATURE SENSOR

**STANDARD SPECIFICATIONS:**  
 316SS IMMERSIBLE INSERTION STEM  
 GROUNDED (THERMOCOUPLE)  
 3-WIRE 385 1/3DIN (RTD Pt100)



CODE	SENSOR
R2	Pt100 (Max 200C)
R5	Pt100 (Max 500C)
R10	Pt1000 RTD
M1	Marathon -40
M2	Marathon -81
MN	Monnit
K	K TYPE T/C
J	J TYPE T/C
T	T TYPE T/C
O	Other (Specify)

CODE	STEM DIA. (D)
A	1/16"
B	1/8"
C	3/16"
D	1/4"
E	3/8"
O	OTHER (SPECIFY)

INSERTION (L1=INCHES)	CABLE (L2=INCHES)

\* NOTE: For Coiled Cord do not select cable length it is 36" by default

CODE	CABLE INSUL.
P	PVC
T	TEFLON
G	FIBRE GLASS
C	COILED CORD 36" default for coiled cord

CODE	TERMINATION
N	BARE LEADS
P	MINI PLUG
U	STD. PLUG
M	2.5 mm PLUG
A	STD. JACK
L	SPADE LUGS
O	OTHER (SPECIFY)

M03 ( ) - [ ] - [ ] - [ ] - [ ] - [ ] - [ ] - [ ] - [ ]

OPTIONS	CODE
INSERTION STEM MATERIAL: INCONEL 600 (HIGH TEMPERATURE)...	600
INSERTION STEM MATERIAL: 446SS (CORROSION RESISTANT).....	446
FLEXIBLE SS ARMOUR OVER LEAD CABLE.....	A
LEAD CABLE WITH SS OVERBRAID.....	SS
EXPOSED SENSOR TIP (AIR SENSOR).....	E
SURFACE SENSOR.....	SF
SHARP CHISEL TIP (PENNERATION).....	S
SUBMERSIBLE.....	SUB
TEFLON-COATED INSERTION STEM.....	TF
TRANSITION FITTING W/STRAIN RELIEF.....	R
4-WIRE RTD.....	4W
DUAL SENSORS.....	D
UNGROUNDED THERMOCOUPLE JUNCTION.....	U
OTHER OPTIONS (SEE M03 OPTIONS).....	O ( )

CODE	OPTIONS
WB	With W-box



1295 Morningside Avenue, Unit 16-17  
 Toronto, ON M1B 4Z4 Canada  
 Phone: 416-261-4865 Fax: 416-261-7879  
 www.scigiene.com